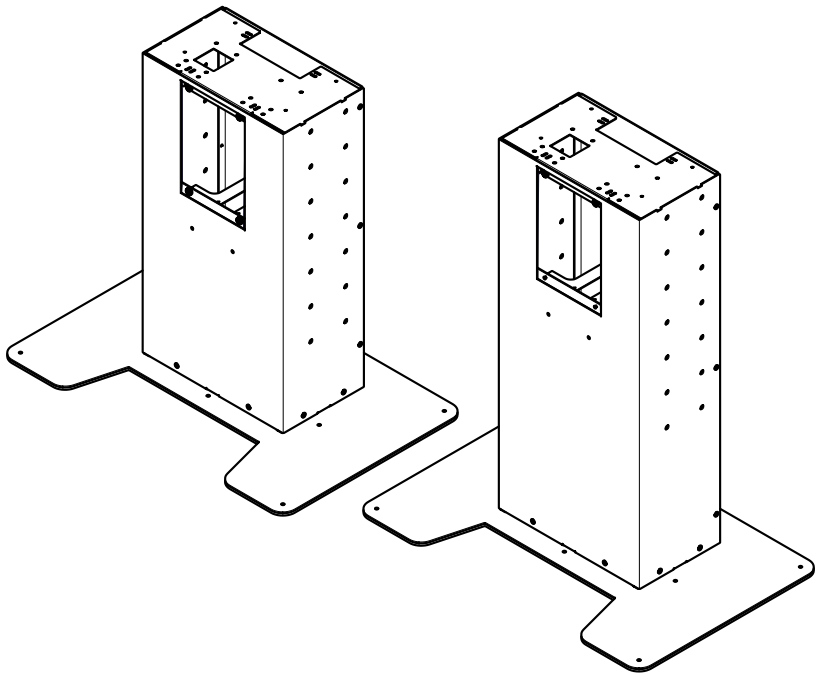


Installation Guide

SPSK300 + SPSK301

SCO Kiosk Floorstand



CAUTION

This product is designed to be either freestanding or bolted to the floor.

This product is stable, when it is freestanding and placed on a flat and level installation location.

If this product is subjected to push force of more than 9kg for any direction, it is recommended that it be bolted to the floor.

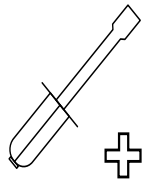
It is the responsibility of the installer to use the appropriate floor fixings for the specific installation location. Please follow the fixing suppliers recommendations for installation. The fixings should be thread size M8 with steel grade 8.8 or better (min. yield strength of 600 N/mm²).

This product is intended for indoor use only.

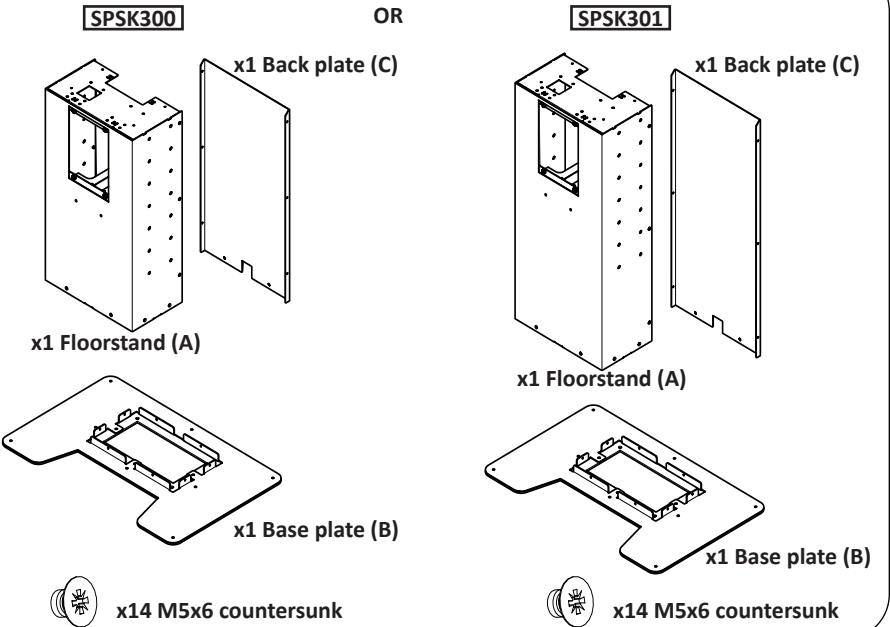
If these installation instructions are not followed correctly, it could lead to product failure and potential personal injury.

Ergonomic Solutions/SpacePole cannot be held responsible for any failure or injury, if the installation instructions are not followed correctly.

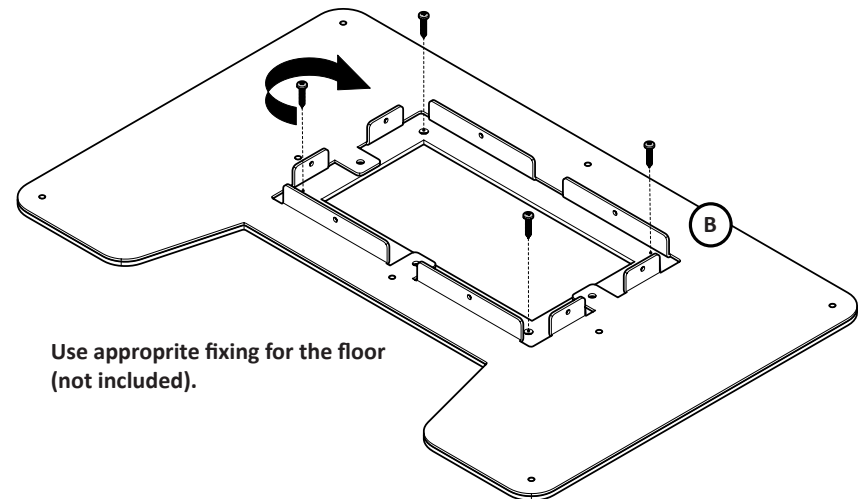
Tool list



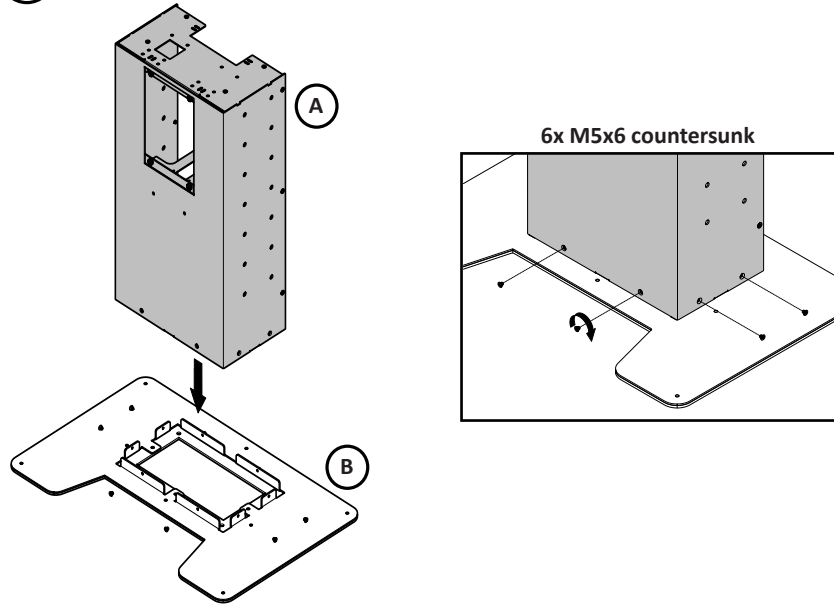
Box content



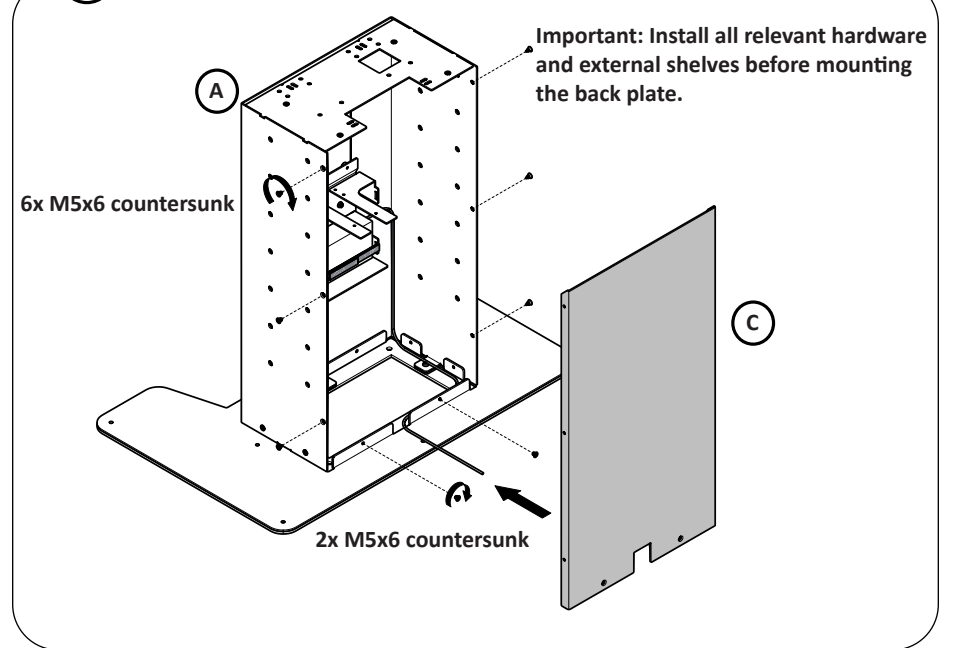
1 Bolt the baseplate to the floor



2 Mount the base to the baseplate



4 Install backplate



3 Additional hardware and cable management

